

MANUAL CALL POINT MS MODEL NO- C-100MM



Agni Protection modern stylish manual call point made of CRCA sheet as per the IS standards its designed to provide manual fire reporting. The low-profile design provides aesthetic appeal that allows it to blend in with today's modern architectural styles.

There is a transparent glass protecting the MCP from the front side. A small MS powder coated hammer is attached with the MCP, this is used to break the front glass to generate alarm in the system. All the MCP comes with a factory fitted back box for Surface or Semi flush mounting on the wall

MCP ideal where emergency situations are identified and require an immediate evacuation.

To operate the MCP, break the front glass with attached hammer. Steady Glow of Red LED will indicate the activation of MCP.

Features and Benefits :

- Compatibility with any conventional fire Alarm System
- Wall mount facility
- Dual LED on front Steady RED LED at fire condition
- Safe and Reliable.
- Front Protection Glass.
- Fully Confirm IS 2189.
- Hammer for breaking the glass.

☎ +91-8527498960, 8527498961, 8527498962

✉ sales@agniprotection.com, support@agniprotectionindia.com

🌐 www.agniprotection.com

ELECTRICAL SPECIFICATION

Operating Voltage	18-24V DC
Current Consumption in fire condition	30mA@24 VDC
Standby Current	NA

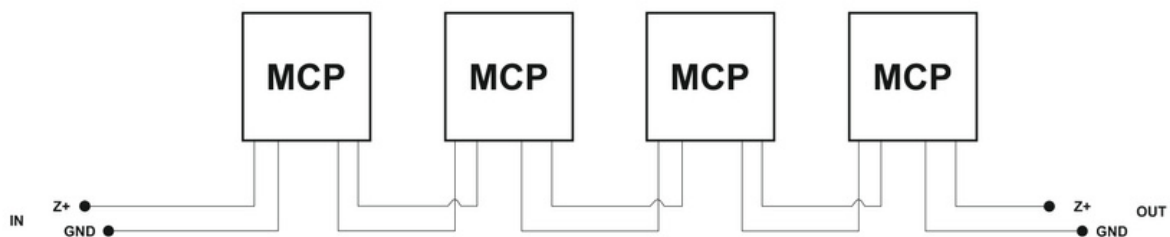
ENVIRONMENTAL INFORMATION:

Operating Temperature	0° C to + 65° C
Operating Humidity	5 to 95% Relative Humidity (non- condensing)

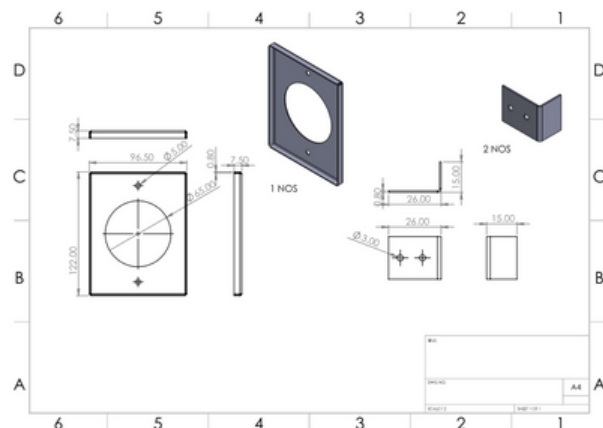
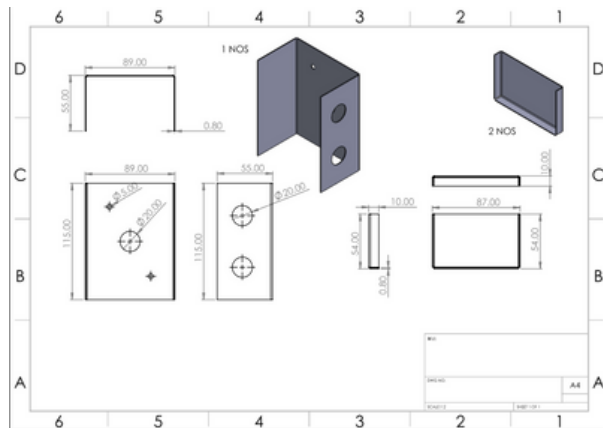
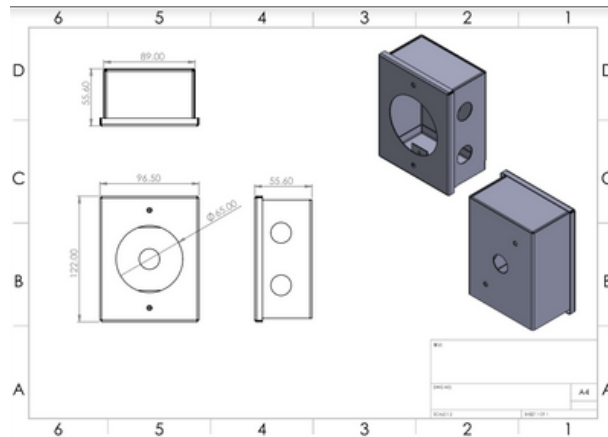
MECHANICAL SPECIFICATION:

Dimension W X H X D (MM)	120 X 95 X 55 MM
Weight	450 Gram
Colour	Red
Housing	CRCA

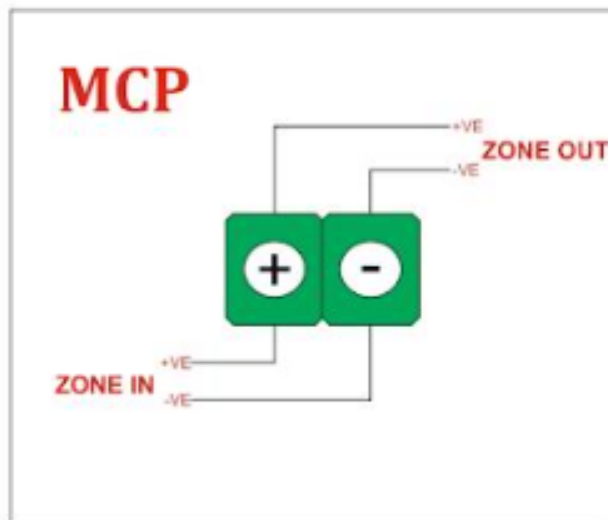
WIRING DIAGRAM:



MECHANICAL DIAGRAM:



CONNECTION DIAGRAM:



ORDERING INFORMATION:

MODEL NO	PACK QTY.	DIMESION (WXHXD) MM	WEIGHT
C-100MM	1	120 X 95 X55	450 Gm

APPROVED BY:



+91-8527498960, 8527498961, 8527498962

sales@agniprotection.com, support@agniprotectionindia.com

www.agniprotection.com